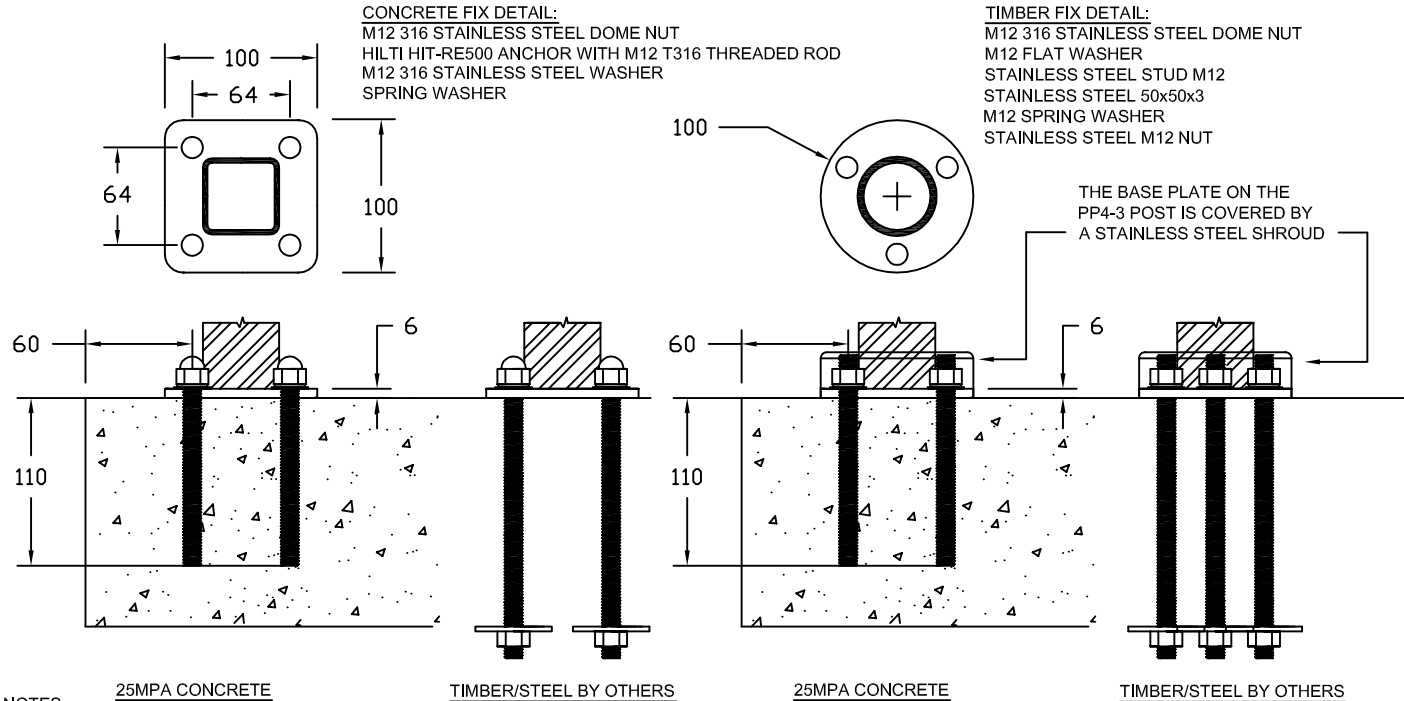


Opus Manufacturing Technical Page

PP4-3 - Pool Post - 50mm round 316 SS post.

PP5-3 - Pool Post - 50mm & 38mm square 316 SS post.

TOP FIX OPTION



CALCULATIONS ARE BASED ON 25MPA CONCRETE. SUITABILITY IS THE RESPONSIBILITY OF OTHERS AND AN ENGINEERS REPORT IS RECOMMENDED. ALL FIXING HARDWARE TO BE GRADE 316 STAINLESS STEEL.

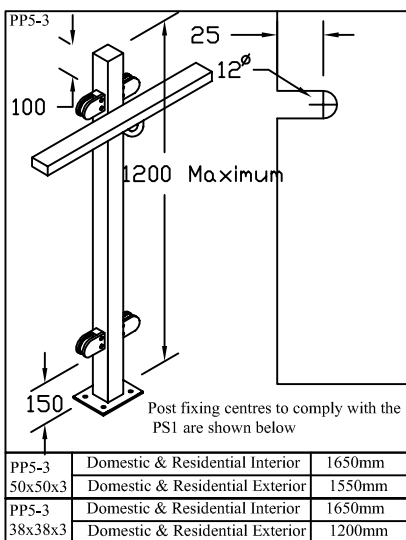
THIS PROPRIETARY BALUSTRADE SYSTEM HAS BEEN DESIGNED IN CONJUNCTION WITH THE GANZ BALUSTRADE DESIGN TABLE SB-3 AND COMPLIES WITH THE NEW ZEALAND BUILDING CODE CLAUSES B1 STRUCTURAL, B2 DURABILITY, F2 HAZARDOUS BUILDING MATERIALS AND F4 SAFETY FROM FALLING THIRD ADDITION, SUBJECT TO:

- ALL PRODUCTS MEETING THEIR PERFORMANCE SPECIFICATION.
- INSTALLATIONS MUST BE IN ACCORDANCE WITH THE INTENT OF THIS DRAWING AND COMPLY WITH NZS 4223.3.2016 REQUIREMENTS

THE GANZ TABLE SB-3 ALLOWS A MAXIMUM ULS OF 2.1KPa AND SLS OF 1.5KPa DESIGN WIND PRESSURE FOR THE LOCATION AND IF THE SITE DESIGN WIND PRESSURE EXCEEDS THESE, SPECIFIC DESIGN IS REQUIRED TO DETERMINE THE GLASS THICKNESS.

BALUSTRADE GLASS -10MM & 12MM TOUGHENED WITH AN APPROVED HANDRAIL.
- 10MM & 12MM TOUGHENED WITH A EVA LAMINATE. NO HANDRAIL REQUIRED.

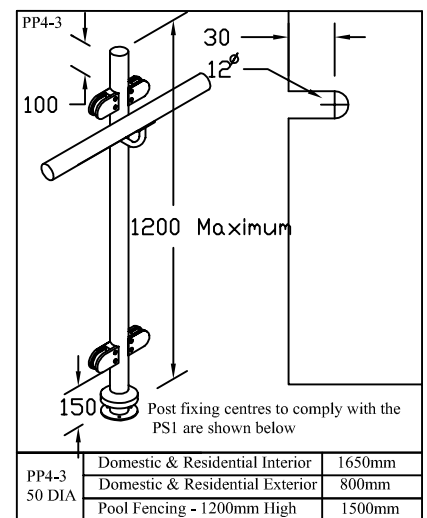
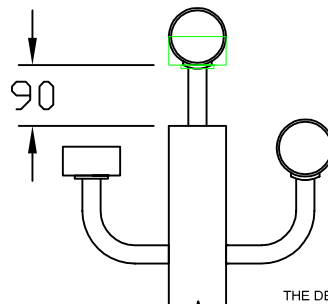
POOL FENCING - 12MM TOUGHENED, OR 12MM TOUGHENED LAMINATE TO A MAXIMUM HEIGHT OF 1200MM ABOVE GROUND LEVEL



OPUS FRAMELESS INTER LINKING HANDRAIL SYSTEM OHRTS AND THE OPUS BAL-6 - BAL-8 INTER LINKING BRACKETS CONFORMS WITH NZS 4223.3.2016 AND BUILDING CODE B1.3.4

HANDRAIL BRACKETS AND RAILINGS MUST COMPLY WITH NZS 4223.3.2016

OPUS PART #GHH-3 POST MOUNT
OPUS PART #OHRT ROUND RAILING
OPUS PART #OHRT-2 RECTANGULAR RAILING



THE DESIGN HAS BEEN VERIFIED BY AN INDEPENDENT ENGINEERING CONSULTANT AND A PRODUCER STATEMENT PS1 DESIGN IS AVAILABLE.

Stainless steel post and clamping system for glass fencing.

It is recommended that at least one security pin be fitted per side as shown in the above cut-out. Two pins can be installed if required by duplicating the same cut-out from the top edge of the glass in the required locations.

Standard finishes: Mirror polish or satin finish. (Brushed)