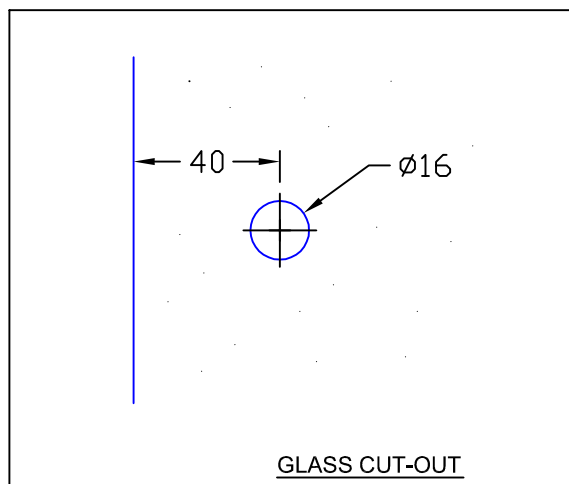
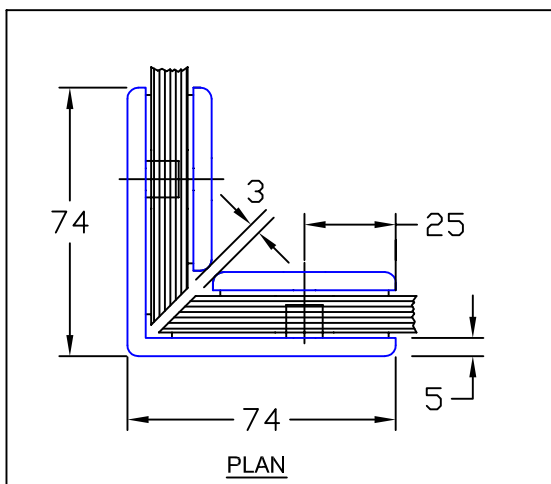
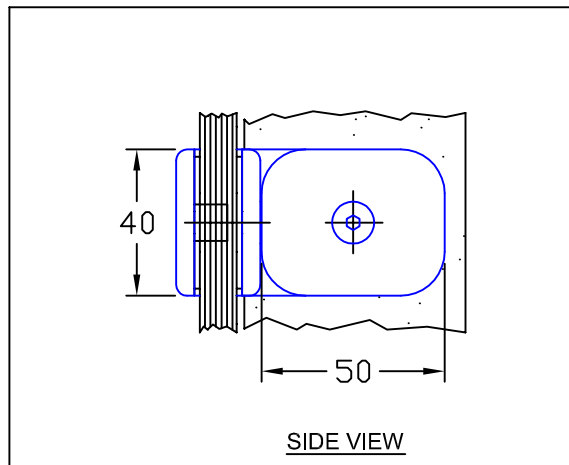
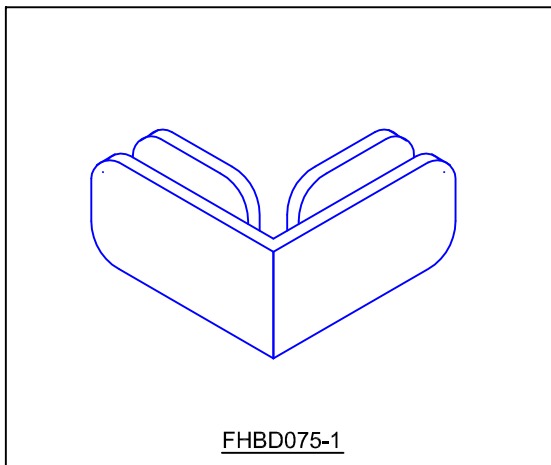
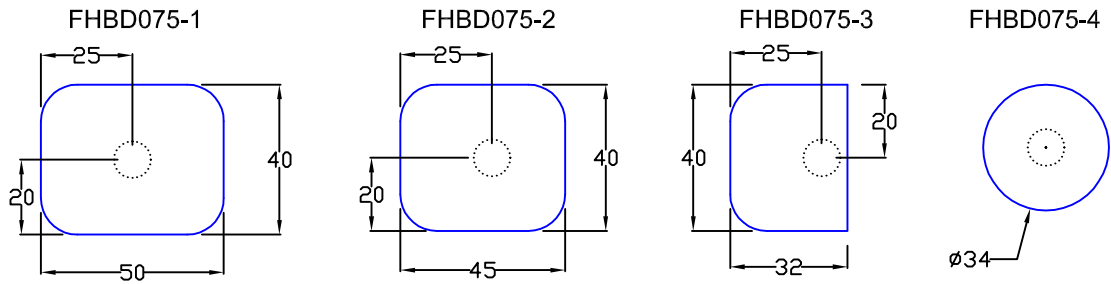


Opus Manufacturing Technical Page

FHBD075



FHBD075 Bracket/Clamp Glass to Glass. Manufactured in solid brass, and designed to secure 90 degree glass to glass shower enclosure panels. FHBD075-1,2,3,4 indicates backplate option as shown above.

Standard Finishes: Chrome, Satin Chrome Gold