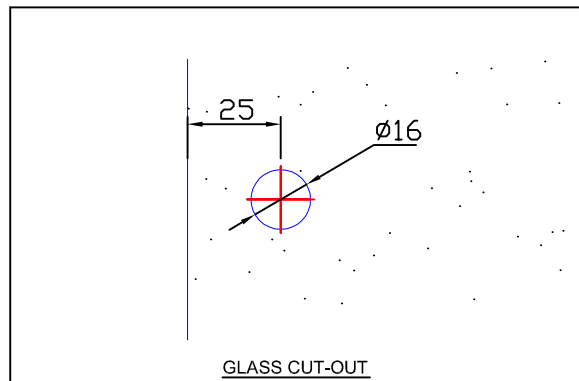
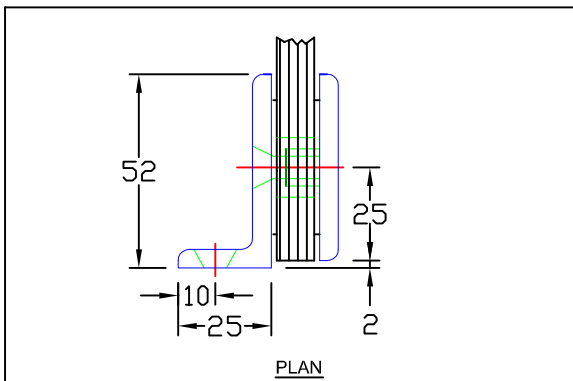
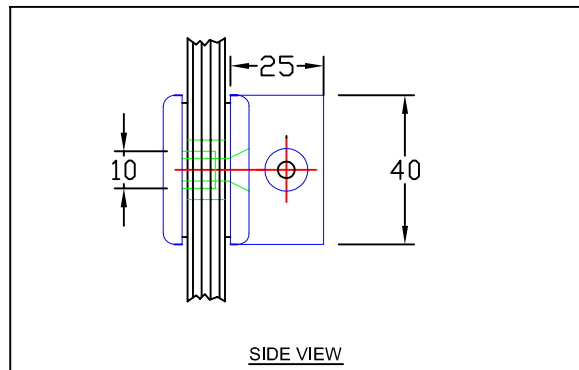
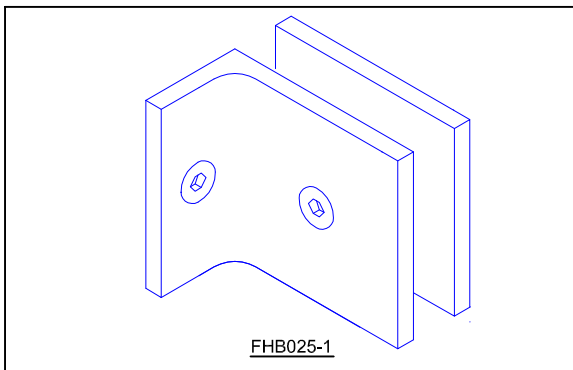
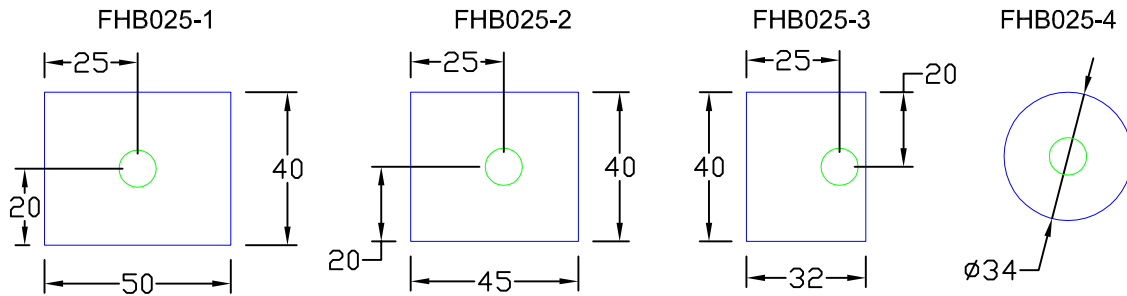


Opus Manufacturing Technical Page

FHB-2-025



FHB025 Bracket/Clamp Wall to Glass. Manufactured in solid brass and designed to secure shower enclosure glass panels to the wall or floor. FHB025-1,2,3,4 indicates backplate option as shown above.

Standard Finishes: Chrome, Satin Chrome, Gold