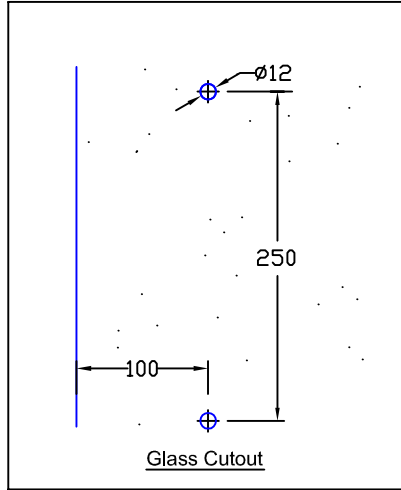
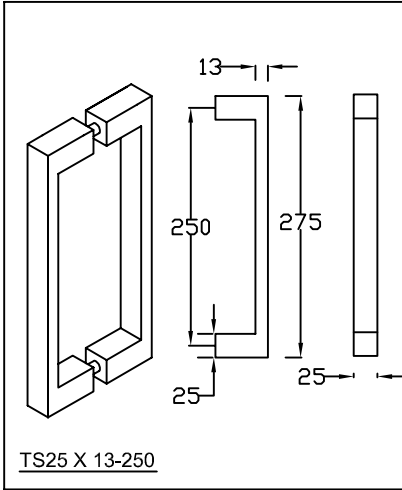


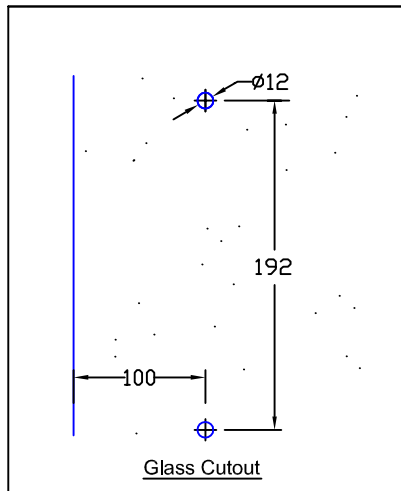
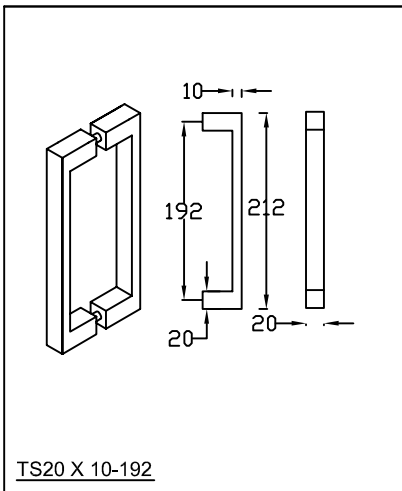
Opus Manufacturing Technical Page

TS25, TS20, CC25-150 & CC25-300



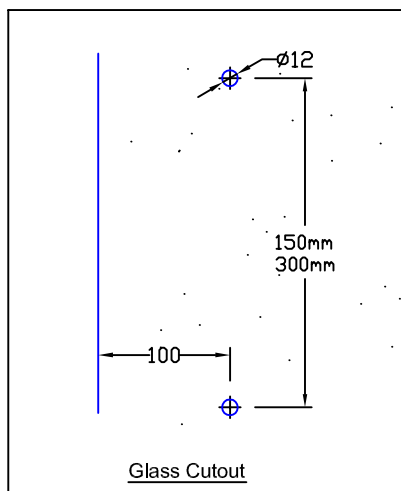
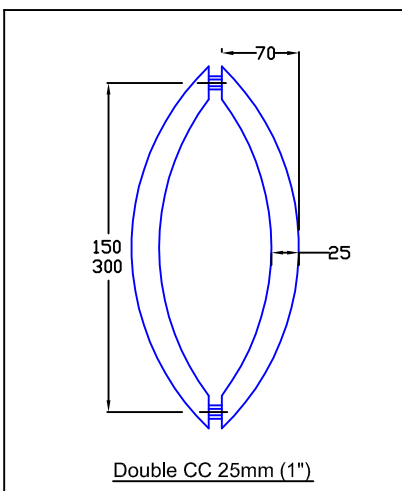
TS25 HANDLE
 A set consists of one TS25 handle for each side of the glass door.

Code: TS25 x 13 - 250



TS20 HANDLE
 A set consists of one TS20 handle for each side of the glass door.

Code: TS20 x 10 - 192



Double C Handles 25mm
 A set consists of one C handle for each side of the glass door. 32mm washers available, in the same, or contrast finish.

Codes: CC25-150
 CC25-300

Handles are constructed stainless steel tubing. Plastic gaskets and spacers are included to protect against glass-to-metal contact.

Standard Finishes: Polished Stainless, Satin Stainless.