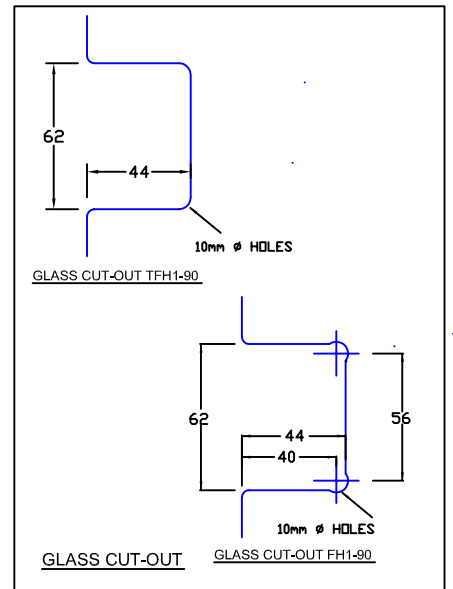
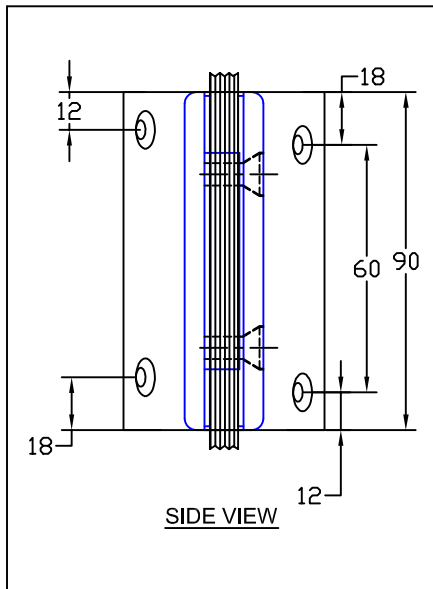
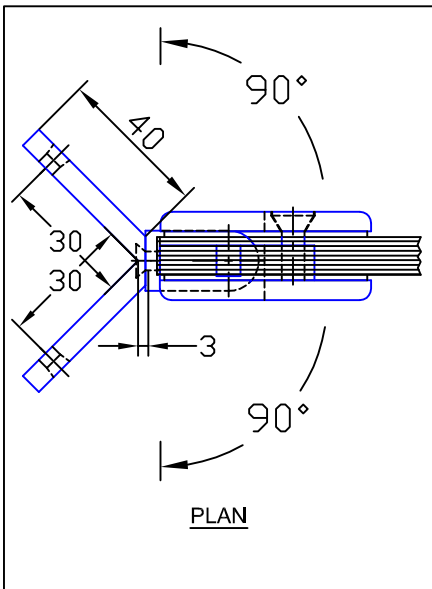
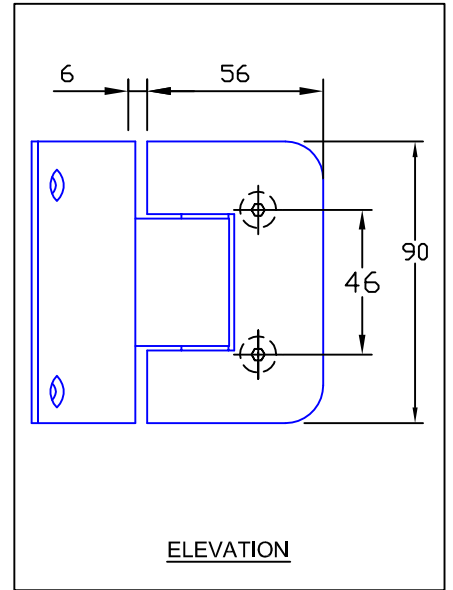
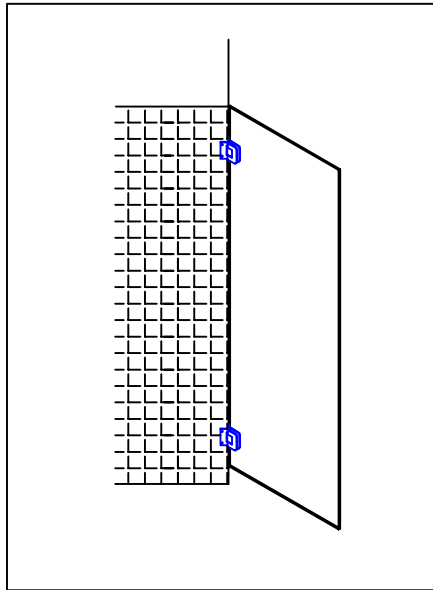
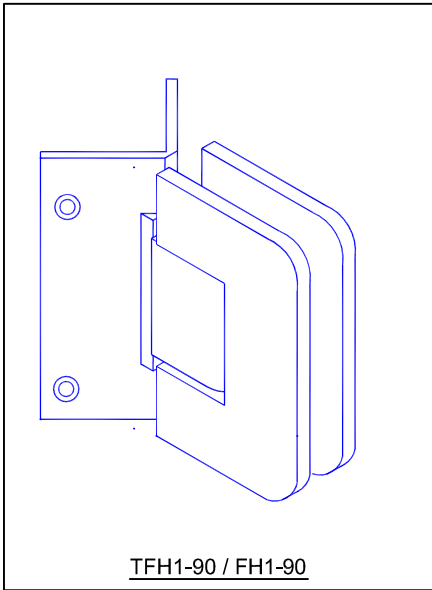


Opus Manufacturing Technical Page

TFH1-90 / FH1-90

Dual action opening 90° in both directions.
 Standard specifications for 8mm and 10mm glass
 but can be adapted to suit 6mm or 12mm glass on request.



TFH1-90 / FH1-90 Wall to Glass corner mounted hinge, on a 90 degree corner

Standard Finishes : Chrome; Satin Chrome; Gold.