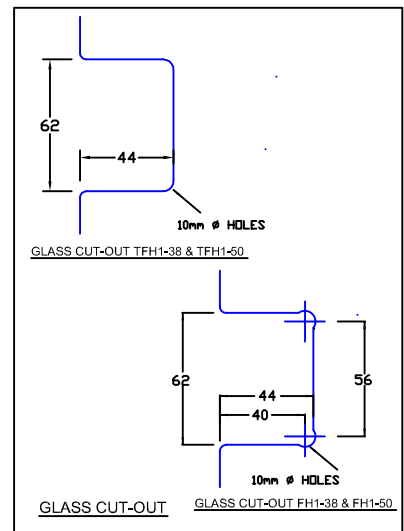
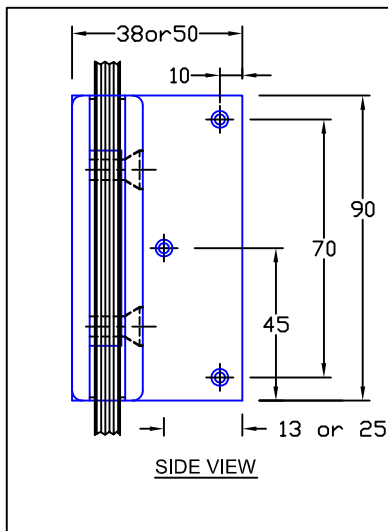
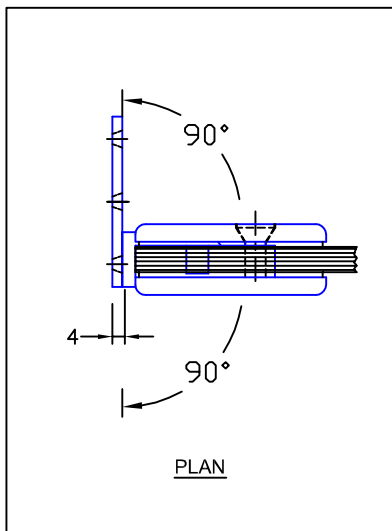
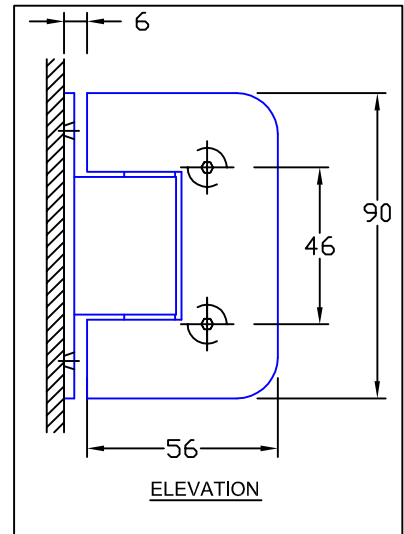
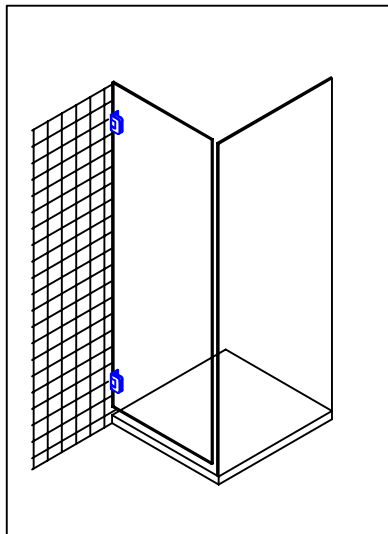
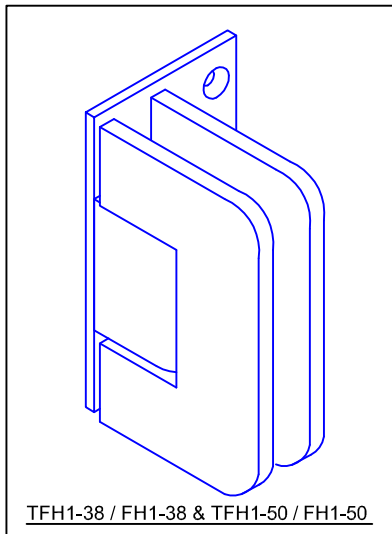


Opus Manufacturing Technical Page

TFH1-38 / FH1-38 and TFH1-50 / FH1-50

Dual action opening 90° in both directions.
 Standard specifications for 8mm and 10mm glass
 but can be adapted to suit 6mm or 12mm glass on request.



TFH1-38 / FH1-38 and TFH1-50 / FH1-50 Wall to Glass side mounted hinge, with two back plate options. 38mm and 50mm.

Standard Finish: Chrome; Satin Chrome; Gold