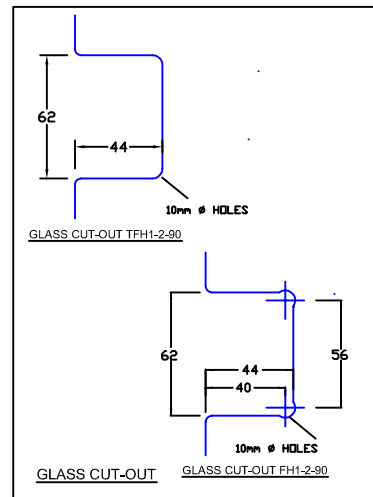
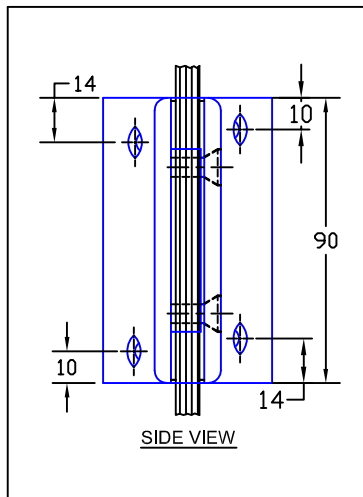
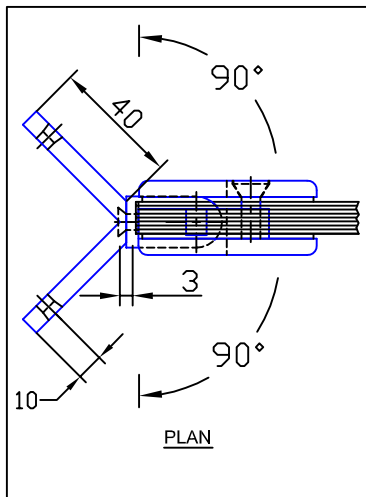
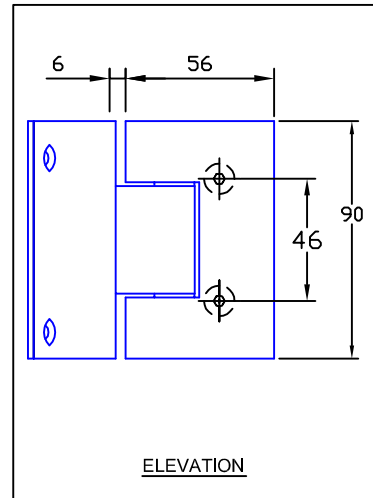
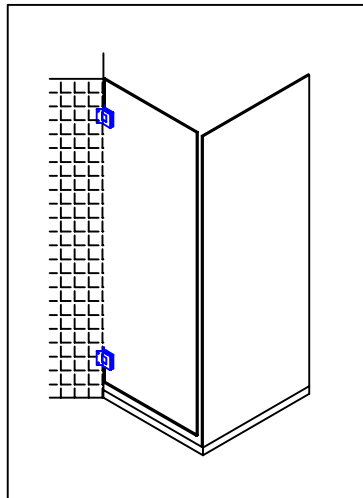
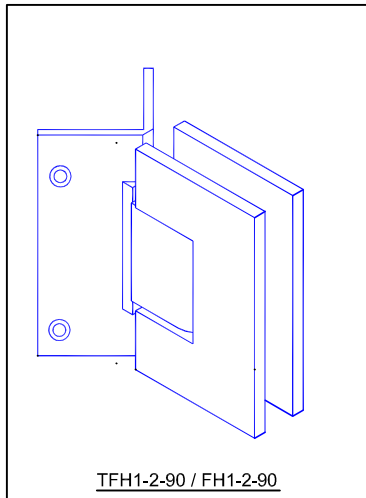


Opus Manufacturing Technical Page

TFH1-2-90 / FH1-2-90

Dual action opening 90° in both directions.
 Standard specifications for 8mm and 10mm glass
 but can be adapted to suit 6mm or 12mm glass on request.



TFH1-2-90 / FH1-2-90 - Wall to Glass corner mounted hinge, on a 90 degree corner

Please note: The T series has a square corner, square edge and the standard is square corner with a radius edge.

Standard Finishes : Chrome; Satin Chrome; Gold.