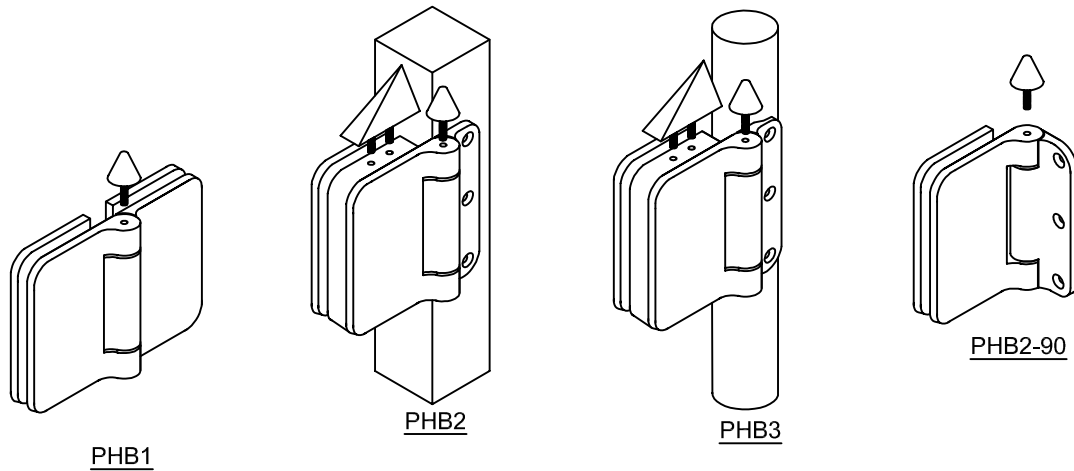


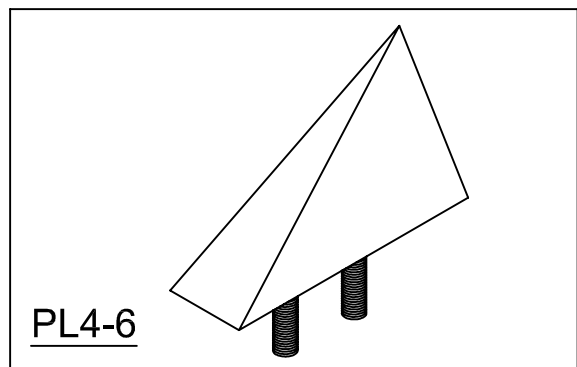
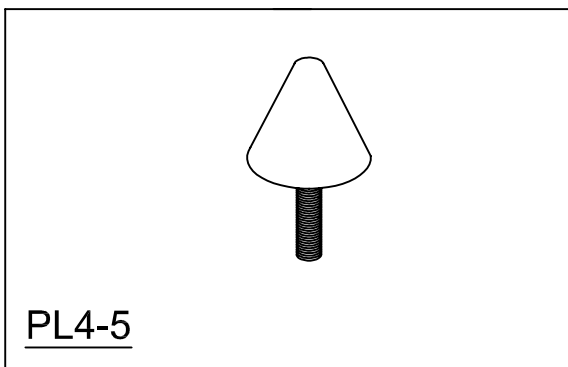
Opus Manufacturing Technical Page

PL4-5 and PL4-6 Anti-toe hold fittings.

Diagram shows the Opus self closing hinge range and location of the anti-toe hold fittings.



PL4-5 and PL4-6



Please note: An anti-toe hold fitting, Opus part number PL4-5 must be fitted when used on hinges installed on pool gates. Opus part number PL4-6 must also be fitted on the PHB2 and PHB3 model hinges.

Designed for use on our frameless glass pool gates. These anti-toe hold fittings are designed so there is a 30 degree slope on any surfaces having a greater surface area than one square centimeter, eliminating toe holds which may enable children to climb over the gate. If these are not installed children could gain access to the pool area, resulting in a possible drowning.