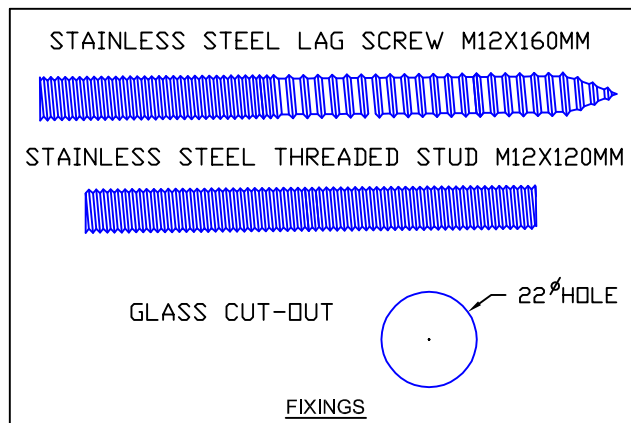
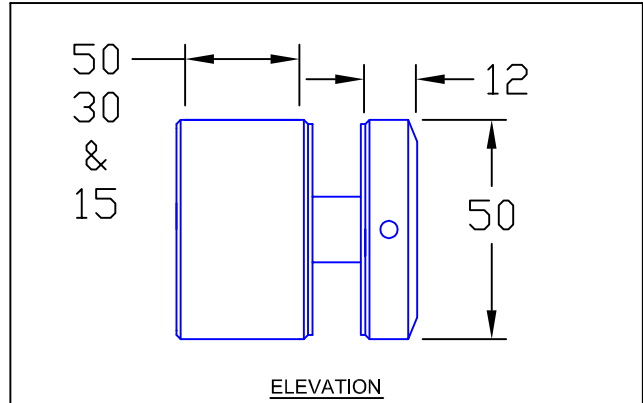
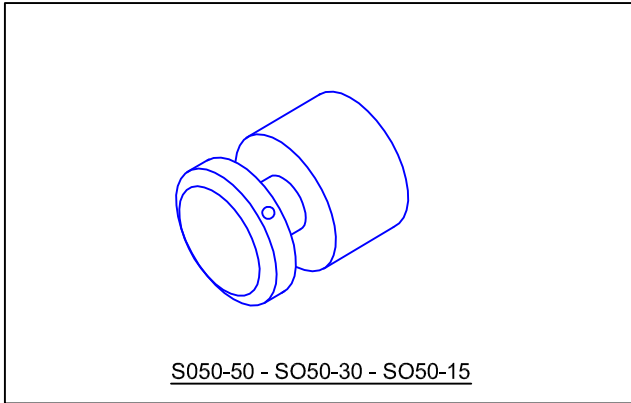


# Opus Manufacturing Technical Page

## SO50-100, SO50-50, SO50-30, SO50-20, SO50-15 & SO50-10 Standoff fittings



### STANDOFF BODY LENGTHS AVAILABLE

- SO50-100 Standoff Fitting.**
- SO50-50 Standoff Fitting.**
- SO50-30 Standoff Fitting.**
- SO50-15 Standoff Fitting.**
- SO50-10 Standoff Fitting.**

Manufactured in marine grade 316 stainless steel, designed to secure frameless glass panels requiring a 100mm, 50mm, 30mm, 15mm & 10mm standoff. Stainless steel packers 50 x 3mm are available if required for alignment.

Securing the standoff fitting is by way of 12mm stainless steel lag screw or stainless steel stud.

Standard Finish: Satin.  
Special Options: Polished.