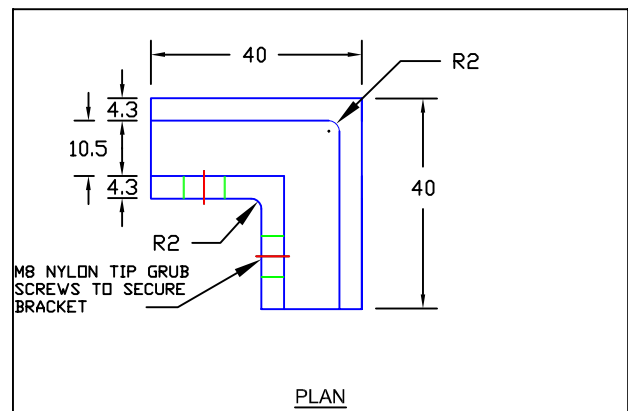
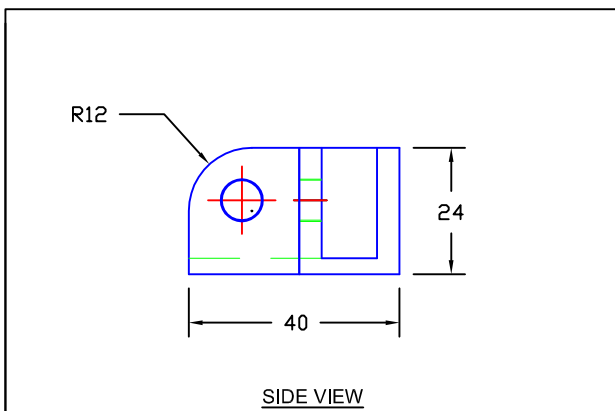
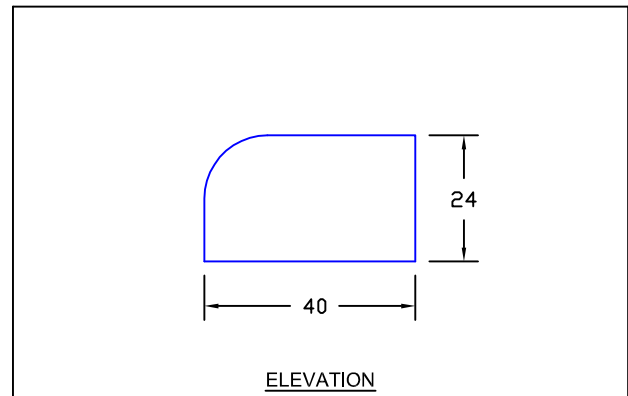
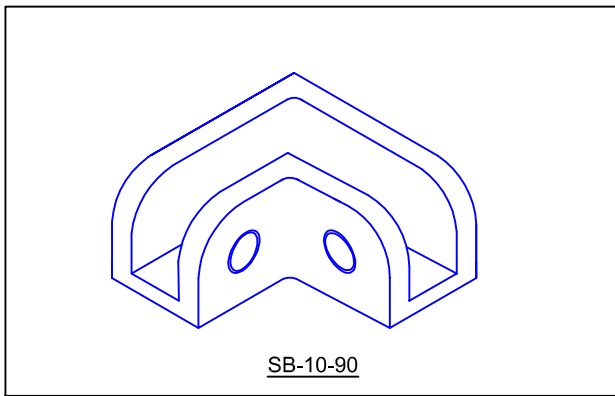


Opus Manufacturing Technical Page

SB-10-90



SB-10-90 Bracket/Clamp.

Manufactured in solid brass, designed to secure glass corner panels running at 90 degrees.

SB-10-90 Glass 10mm

Standard Finishes: Chrome, Satin Chrome, Gold.